

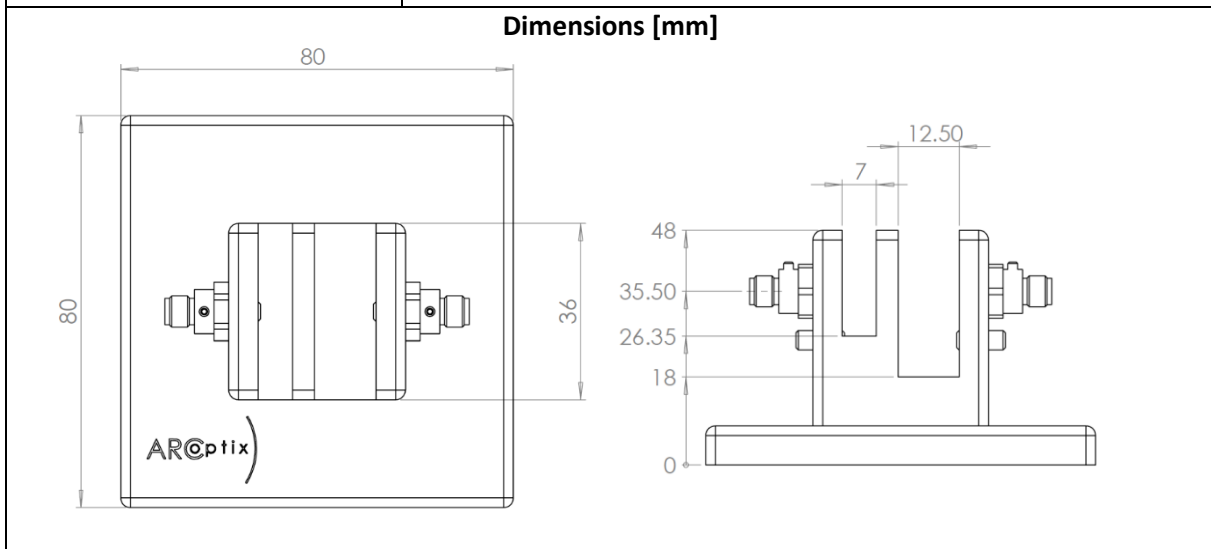
## ARCOPTIX CUV



The ARCOptix CUV is our homemade cuvette holder system for transmission measurements in the near infrared. It features two fiber collimators with SMA905 connectors, a 12.5 mm wide sample port that accepts cuvette with an optical path up to 10 mm long, as well as a filter slot to avoid spurious effects (heating of the sample, extra shot noise) resulting from a too high illumination.

### Specifications

Product code	PART-CUV-NIR
<b>Spectral range [μm]</b>	0.4-2.5
<b>Spectra range [cm<sup>-1</sup>]</b>	4'000-25'000
<b>Lens material</b>	Borosilicate (BK7)
<b>Fiber connector</b>	SMA905



SPECIFICATIONS ARE SUBJECT TO CHANGES WITHOUT NOTICE  
 Please contact [info@arcoptix.com](mailto:info@arcoptix.com) for more information.